

50W DALI & Push Dimmable LED Drivers

multicomp PRO

RoHS Compliant

Features

- Constant voltage/ PWM Output
- DALI & Push dimming function
- AC input: 100V AC to 265V AC
- Built-in active PFC function
- Efficiency up to 84%
- Protections: Short circuit/ Over load/ Over temperature
- Cooling by free air convection
- IP20 design for indoor installation.
- Suitable for intelligent LED lighting



Models	MP007742	MP007743
Output Specifications		
Output Voltage	12V	24V
Voltage Tolerance	±0.5V	
Output Current	4.16A	2.08A
Rated Power	50W	
Load Regulation	± 2%	
Input Specifications		
Input Voltage	100V AC to 265V AC	
Frequency Range	47Hz to 63Hz	
Inrush Current	13A (Twidth=48µs 230V AC)	
Full Load Efficiency (Typ.)	81%	84%
AC Current (Max.)	0.64A	0.62A
Leakage Current	<0.5mA	
Power Factor	PF>0.95/230V AC (Full Loading)	
Protection		
Short Circuit	Constant current mode, recovers automatically after fault condition is removed	
Over Loading	≤120% constant current limiting, recovers automatically after fault condition is removed	
Over Temperature	100°C ±10°C	
Protection Class	II	
Environment		
Working Temperature	-40 to +60°C (Refer to derating curve)	
Working Humidity	20% to 95% RH, non-condensing	
Storage Temperature, Humidity	-40°C to +80°C, 10% RH to 95% RH	
Temperature Coefficient	±0.03%/°C (0°C to 50°C)	
Vibration	10-500Hz, 5G 10min./ 1 cycle, period for 60min.each along X, Y, Z axes	
Safety & EMC		
Safety Standards	EN61347-1, EN61347-2-13, EN62493, IP20	
Withstand Voltage	I/P-O/P:3.75KV AC	

Newark.com/multicomp-pro
 Farnell.com/multicomp-pro
 Element14.com/multicomp-pro

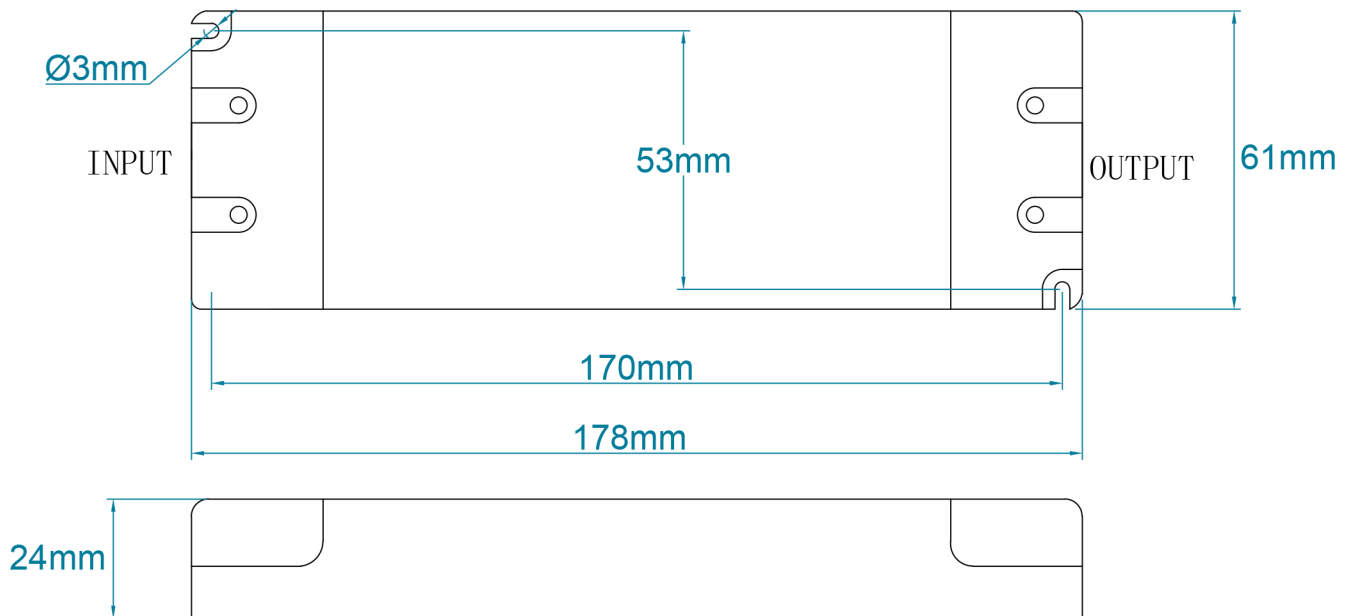
multicomp PRO

50W DALI & Push Dimmable LED Drivers

multicomp PRO

Models	MP007742	MP007743
Isolation Resistance	I/P-O/P:100MΩ/500VDC/25°C/70%RH	
EMC Emission	Compliance to EN55015, EN61000-3-2, EN61000-3-3 (≥60% load)	
EMC Immunity	Compliance to EN61000-4-2,3,4,5,6,11, EN61547	
Other Specifications		
Weight	0.36 Kg	
Size	178mm × 61mm × 24mm	
Packing	290mm × 215mm × 140mm (20PCS/CTN, 7.8 Kg/CTN))	

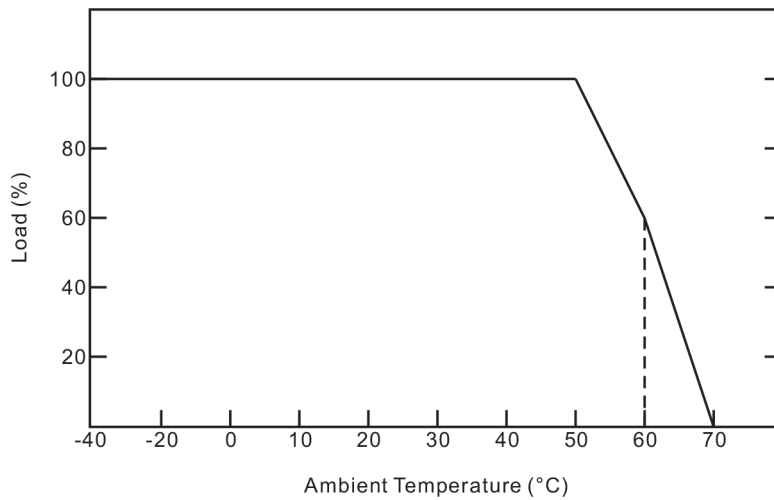
Mechanical Specification



Dimensions : Millimetres

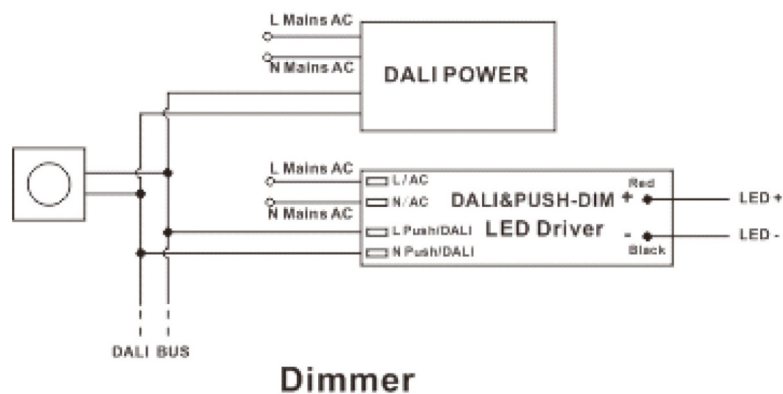
50W DALI & Push Dimmable LED Drivers

Derating Curve

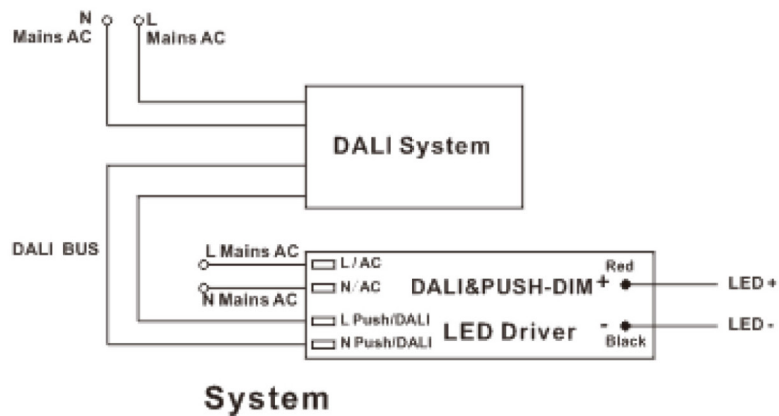


Connecting Diagram

DALI Dimming Wiring Diagram1



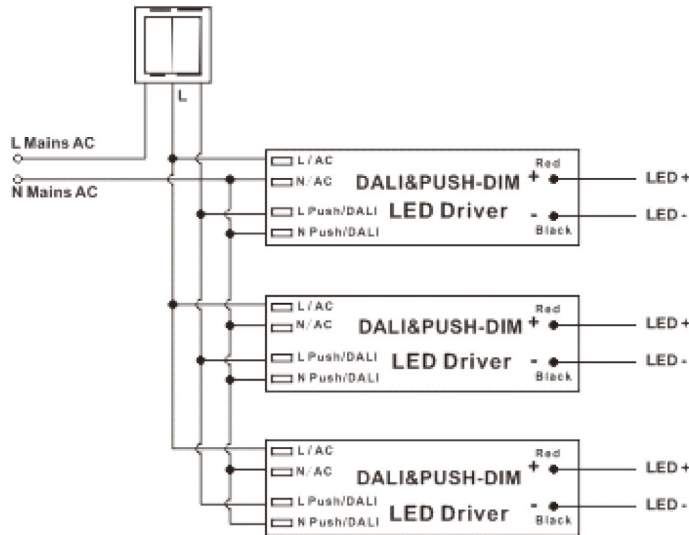
DALI Dimming Wiring Diagram2



50W DALI & Push Dimmable LED Drivers

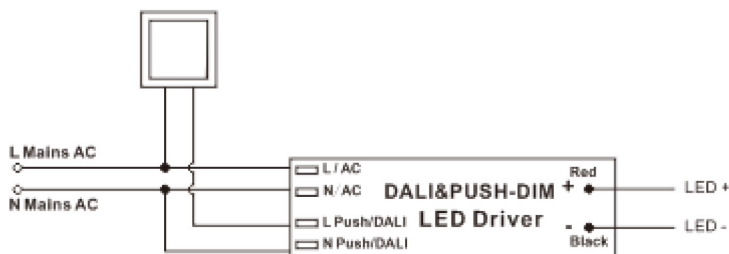
Connecting Diagram

Push-Dimming Wiring Diagram1



Dimmer (with ON/OFF function)

Push-Dimming Wiring Diagram2



Dimmer

Part Number Table

Description	Part Number
DALI & Push Dimmable LED Driver, 50W, 12V, IP20	MP007742
DALI & Push Dimmable LED Driver, 50W, 24V, IP20	MP007743

Important Notice : This data sheet and its contents (the "Information") belong to the members of the AVNET group of companies (the "Group") or are licensed to it. No licence is granted for the use of it other than for information purposes in connection with the products to which it relates. No licence of any intellectual property rights is granted. The Information is subject to change without notice and replaces all data sheets previously supplied. The Information supplied is believed to be accurate but the Group assumes no responsibility for its accuracy or completeness, any error in or omission from it or for any use made of it. Users of this data sheet should check for themselves the Information and the suitability of the products for their purpose and not make any assumptions based on information included or omitted. Liability for loss or damage resulting from any reliance on the Information or use of it (including liability resulting from negligence or where the Group was aware of the possibility of such loss or damage arising) is excluded. This will not operate to limit or restrict the Group's liability for death or personal injury resulting from its negligence. DURATOOL is the registered trademark of Premier Farnell Limited 2019.